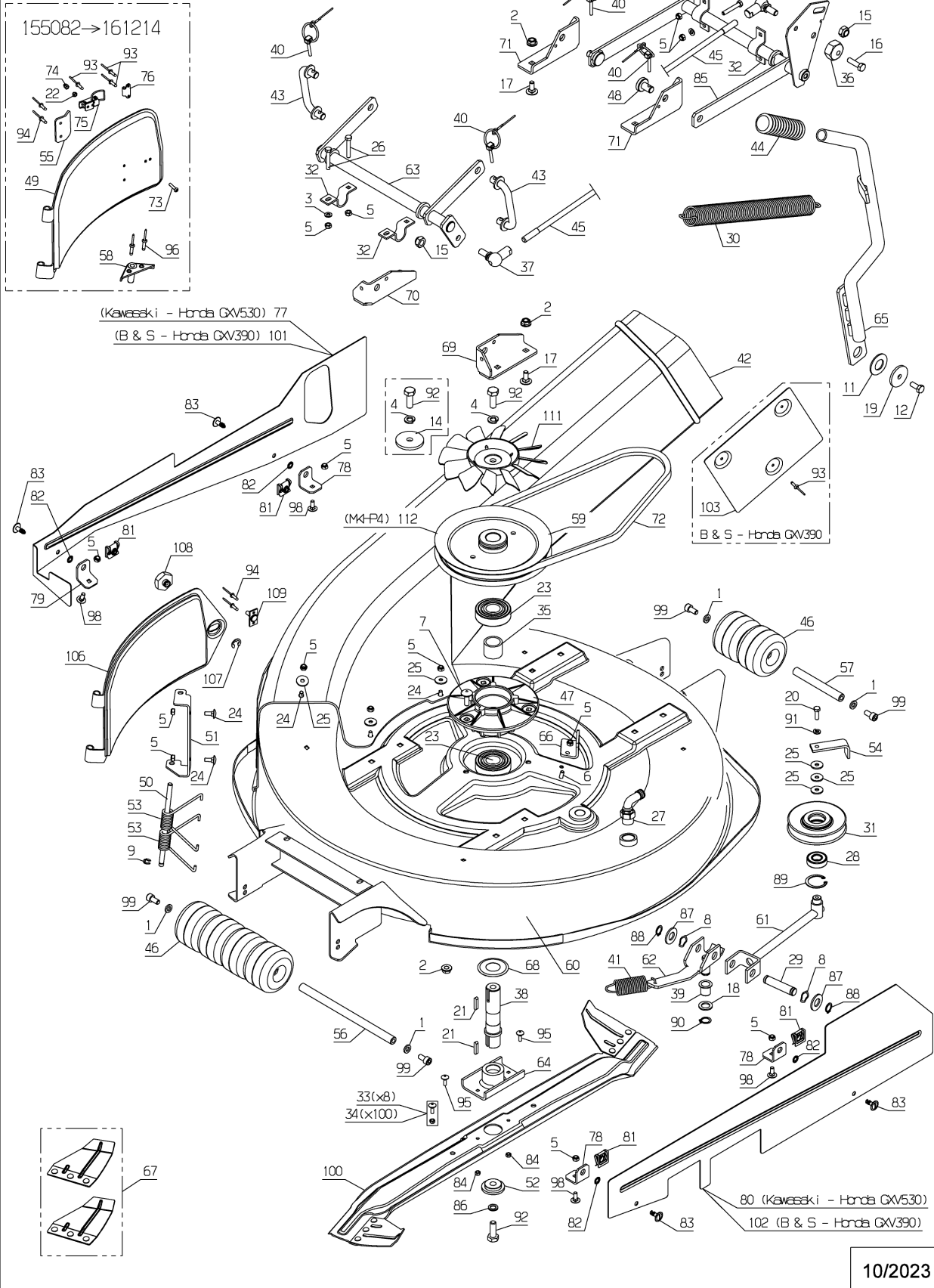


Numero	Codice	Nome	Quantità
1	71343	71343	1,000
2	71205		1,000
3	2235	2235	1,000
4	71052	71052	1,000
5	71201		1,000
6	37997	37997	1,000
7	5347	5347	1,000
8	5411	5411	1,000
9	5602	5602	1,000
11	7330	7330	1,000
12	71413	71413	1,000
14	7341	7341	1,000
15	9017	9017	1,000
16	9061	9061	1,000
17	9071	9071	1,000
18	9166	9166	1,000
19	20021	20021	1,000
20	20507	20507	1,000
21	20602	20602	1,000
22	21525	21525	1,000
23	21553	21553	1,000
24	21608	21608	1,000
25	22029	22029	1,000
26	22456	22456	1,000
27	53091		1,000
28	25112	25112	1,000
29	25126	25126	1,000
30	25425	25425	1,000
31	25509	25509	1,000
32	25711	25711	1,000
33	26157	26157	1,000
34	26357	26357	1,000
35	28020	28020	1,000
36	28040	28040	1,000
37	28047	28047	1,000
38	28062	28062	1,000
39	28070	28070	1,000
40	28075	28075	1,000
41	28076	28076	1,000
42	39469	39469	1,000
43	28113	28113	1,000

Numero	Codice	Nome	Quantità
44	28118	28118	1,000
45	28119	28119	1,000
46	28123	28123	1,000
47	28171	28171	1,000
48	28208	28208	1,000
49	28230	28230	1,000
50	28231	28231	1,000
51	28233	28233	1,000
52	28238	28238	1,000
53	28245	28245	1,000
54	28284	28284	1,000
55	28288	28288	1,000
56	28315	28315	1,000
57	28316	28316	1,000
58	28386	28386	1,000
59	28391	28391	1,000
60	28405	28405	1,000
61	50870	50870	1,000
62	28411	28411	1,000
63	28419	28419	1,000
64	28420	28420	1,000
65	28429	28429	1,000
66	28448	28448	1,000
67	28489	28489	1,000
68	28530	28530	1,000
69	28720	28720	1,000
70	28721	28721	1,000
71	28722	28722	1,000
72	28729	28729	1,000
73	37072	37072	1,000
74	37073	37073	1,000
75	37074	37074	1,000
76	37085	37085	1,000
77	37487	37487	1,000
78	37310	37310	1,000
79	37311	37311	1,000
80	37307	37307	1,000
81	37499	37499	1,000
82	37500	37500	1,000
83	37501	37501	1,000
84	37561	37561	1,000

Numero	Codice	Nome	Quantità
85	37618	37618	1,000
86	37665	37665	1,000
87	71034	71034	1,000
88	71036	71036	1,000
89	71039	71039	1,000
90	71047	71047	1,000
91	71049	71049	1,000
92	71110	71110	1,000
93	71113	71113	1,000
94	71114	71114	1,000
95	71231	71231	1,000
96	71327	71327	1,000
98	71361	71361	1,000
99	71372	71372	1,000
100	MZ80	MZ80	1,000
101	37308	37308	1,000
102	37486	37486	1,000
103	28504	28504	1,000
106	50619	Nouvelle pièce	1,000
107	1559	1559	1,000
108	50634	Nouvelle pièce	1,000
109	50672	Nouvelle pièce	1,000
111	51548		1,000

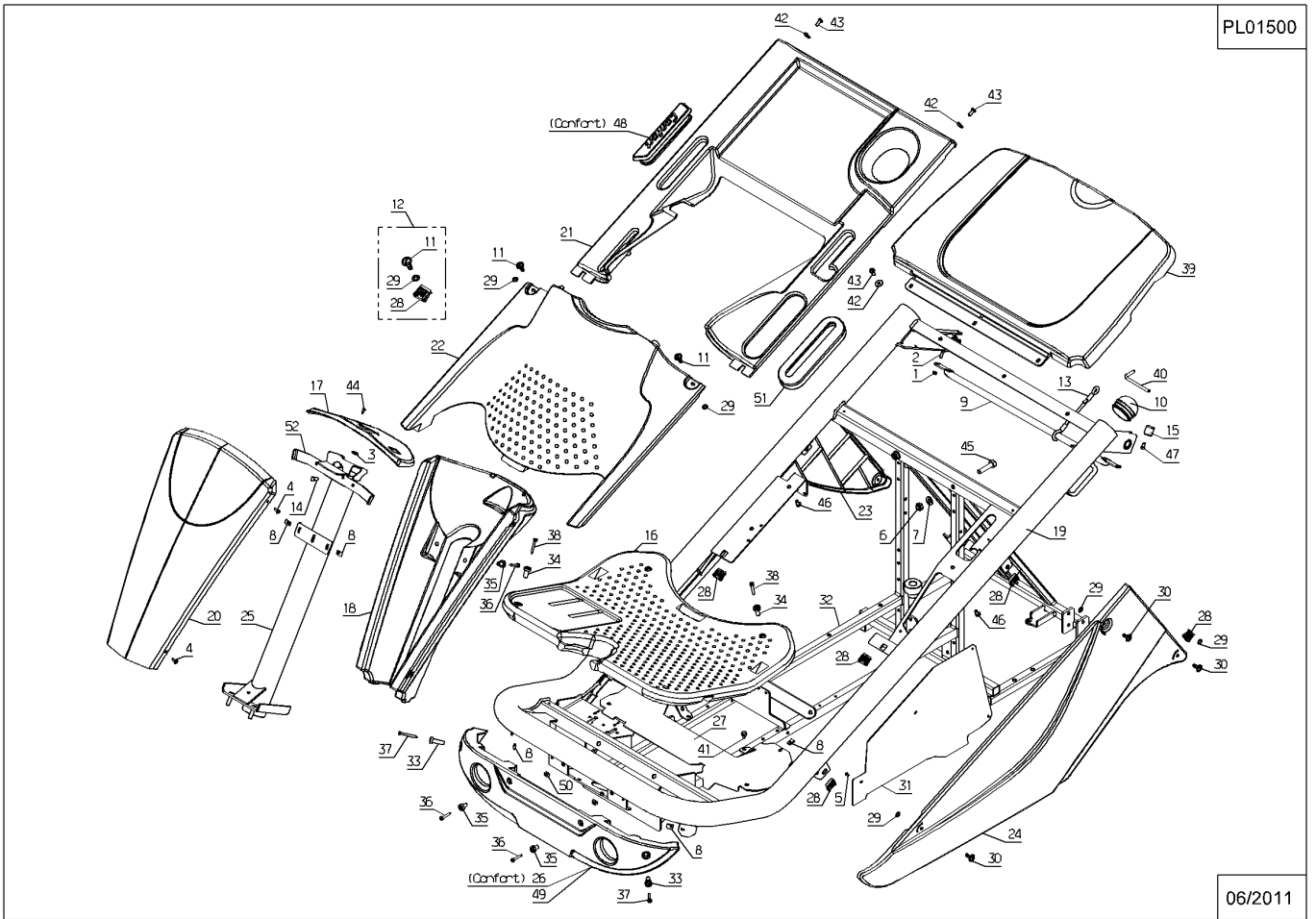
PL01503



Numero	Codice	Nome	Quantità
1	37561	37561	1,000
2	2009	2009	1,000
3	6178	6178	1,000
4	71111	71111	1,000
5	71048	71048	1,000
6	9017	9017	1,000
7	21036	21036	1,000
8	21436	21436	1,000
9	28052	28052	1,000
10	28056	28056	1,000
11	39230	39230	1,000
12	39231	39231	1,000
13	28239	28239	1,000
14	37997	37997	1,000
15	29783	29783	1,000
16	36716	36716	1,000
17	52503		1,000
18	36719	36719	1,000
19	36721	36721	1,000
20	36722	36722	1,000
21	36723	36723	1,000
22	36724	36724	1,000
23	36726	36726	1,000
24	36727	36727	1,000
25	36842	36842	1,000
26	36714	36714	1,000
27	37339	37339	1,000
28	37499	37499	1,000
29	37500	37500	1,000
30	37501	37501	1,000
31	37536	37536	1,000
32	37715	37715	1,000
33	37796	37796	1,000
34	37797	37797	1,000
35	37798	37798	1,000
36	37836	37836	1,000
37	37837	37837	1,000
38	37901	37901	1,000
39	38044	38044	1,000
40	38071	38071	1,000
41	38408	38408	1,000

Numero	Codice	Nome	Quantità
42	71096	71096	1,000
45	71198	71198	1,000
46	71277	71277	1,000
47	71355	71355	1,000
48	37825	37825	1,000
49	37328	37328	1,000
50	71459	71459	1,000
51	28242	28242	1,000
52	38422	38422	1,000

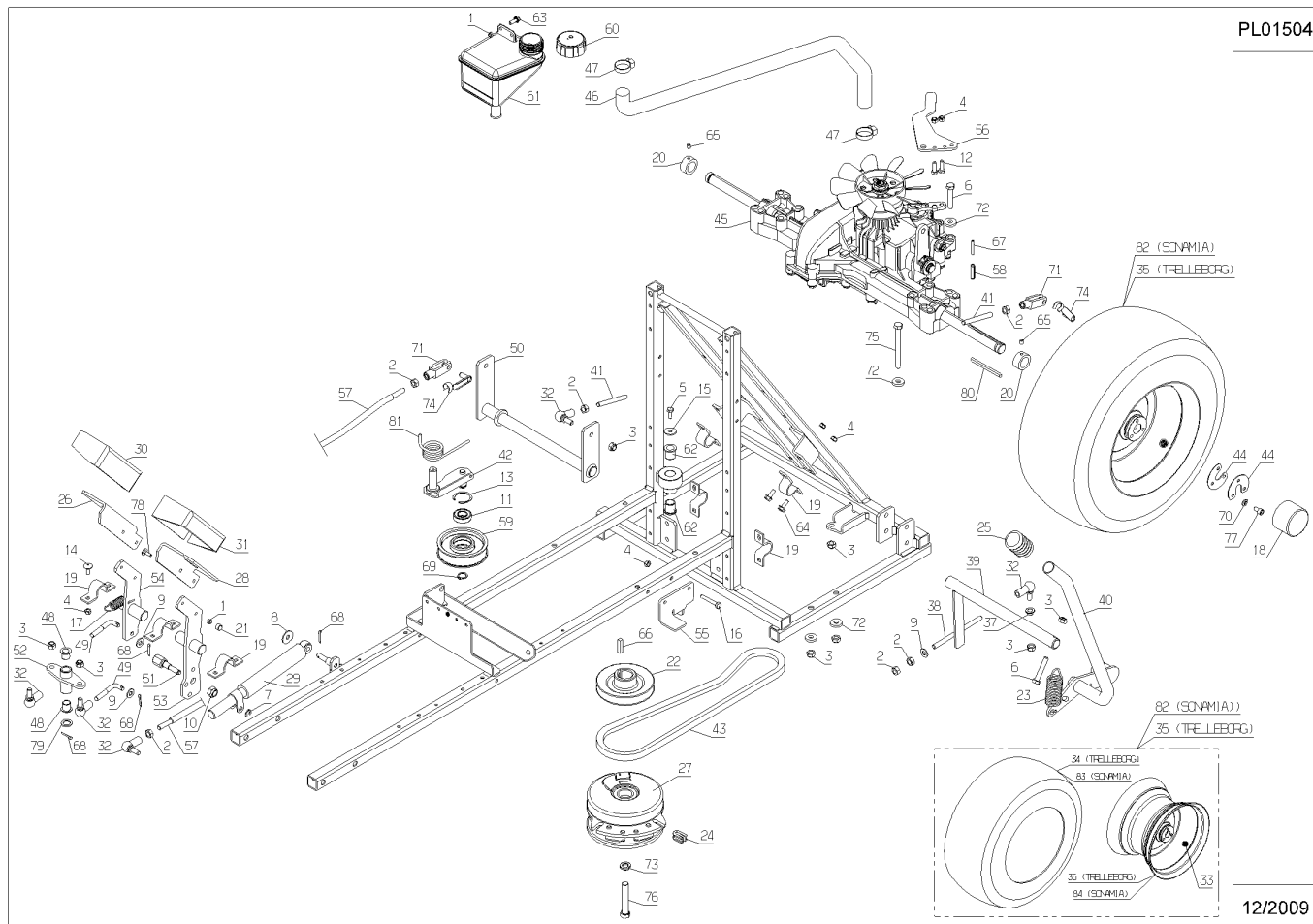
PL01500



06/2011

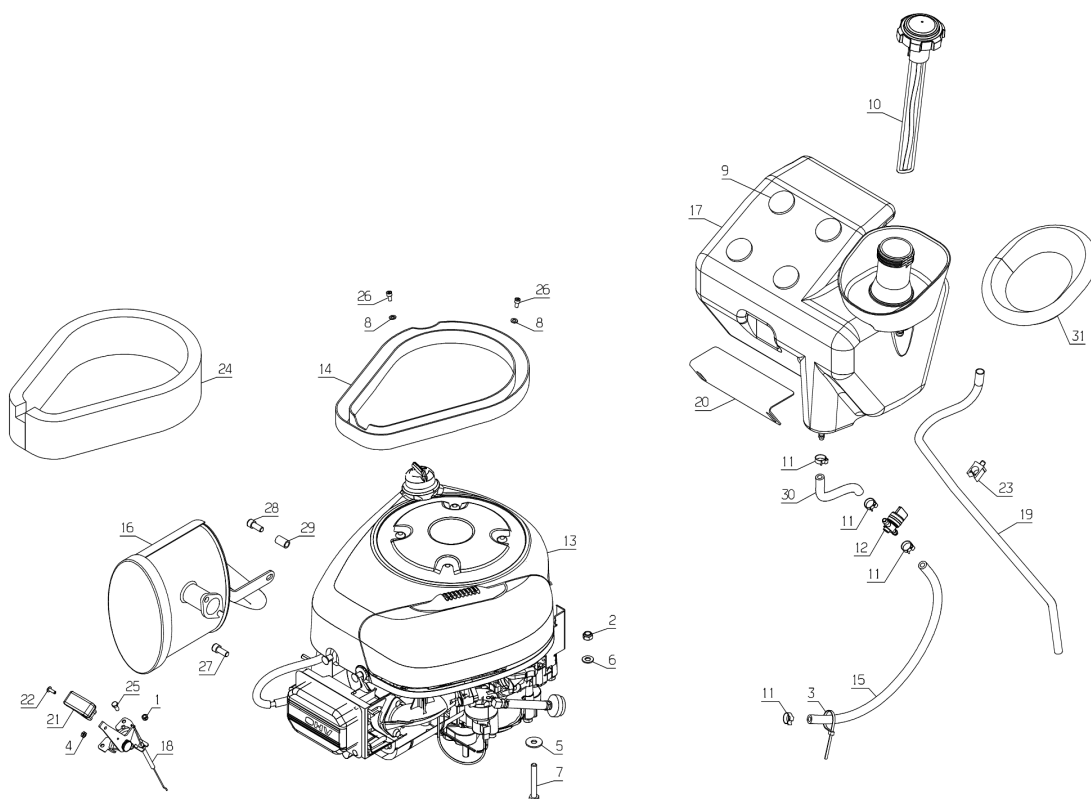
Numero	Codice	Nome	Quantità
1	37561	37561	1,000
2	2020	2020	1,000
3	71205		1,000
4	71201		1,000
5	37997	37997	1,000
6	5340	5340	1,000
7	5602	5602	1,000
8	7035	7035	1,000
9	7335		1,000
10	9017	9017	1,000
11	9022	9022	1,000
12	20507	20507	1,000
13	21256	21256	1,000
14	21608	21608	1,000
15	22029	22029	1,000
16	22456	22456	1,000
17	24717	24717	1,000
18	25176	25176	1,000
19	25711	25711	1,000
20	25728	25728	1,000
21	25900	25900	1,000
22	28011	28011	1,000
23	28076	28076	1,000
24	28078	28078	1,000
25	28100	28100	1,000
26	28131	28131	1,000
27	28135	28135	1,000
28	28139	28139	1,000
29	28143	28143	1,000
30	28167	28167	1,000
31	28188	28188	1,000
32	28234	28234	1,000
33	28353	28353	1,000
34	28445	28445	1,000
35	28479	28479	1,000
36	28483	28483	1,000
37	28507	28507	1,000
38	28508	28508	1,000
39	28509	28509	1,000
40	28512	28512	1,000
41	28516	28516	1,000

Numero	Codice	Nome	Quantità
42	51189	51189	1,000
43	28525	28525	1,000
44	52175		1,000
45	28529	28529	1,000
46	28532	28532	1,000
47	28534	28534	1,000
48	28555	28555	1,000
49	28556	28556	1,000
50	28558	28558	1,000
51	28560	28560	1,000
52	28563	28563	1,000
53	28564	28564	1,000
54	28566	28566	1,000
55	28583	28583	1,000
56	28603	28603	1,000
57	28605	28605	1,000
58	28629	28629	1,000
59	35141	35141	1,000
60	36382	36382	1,000
61	36569	36569	1,000
62	37059	37059	1,000
63	37996	37996	1,000
65	71355	71355	1,000
66	71007	71007	1,000
67	71014	71014	1,000
68	71018	71018	1,000
69	71047	71047	1,000
70	71049	71049	1,000
71	71077	71077	1,000
72	71126	71126	1,000
73	71159	71159	1,000
74	71169	71169	1,000
75	71199	71199	1,000
76	71208	71208	1,000
78	71231	71231	1,000
79	71336	71336	1,000
80	71418	71418	1,000
81	25511	25511	1,000
82	28186	28186	1,000
83	28351	28351	1,000
84	28355	28355	1,000



Numero	Codice	Nome	Quantità
1	37561	37561	1,000
2	71205		1,000
3	5202	5202	1,000
4	5488	5488	1,000
5	7035	7035	1,000
6	7335		1,000
7	20513	20513	1,000
8	20564	20564	1,000
9	25879	25879	1,000
10	28055	28055	1,000
11	28323	28323	1,000
12	28324	28324	1,000
13	28610	28610	1,000
14	28612	28612	1,000
15	30281	30281	1,000
16	55672		1,000
17	37809	37809	1,000
18	37820	37820	1,000
19	38000	38000	1,000
20	38074	38074	1,000
21	38127	38127	1,000
22	38130	38130	1,000
23	38273	38273	1,000
24	38477	38477	1,000
25	71284	71284	1,000
26	71406	71406	1,000
27	71410	71410	1,000
28	37523	37523	1,000
29	42019	42019	1,000
30	39194	39194	1,000
31	39273	39273	1,000

PL01534

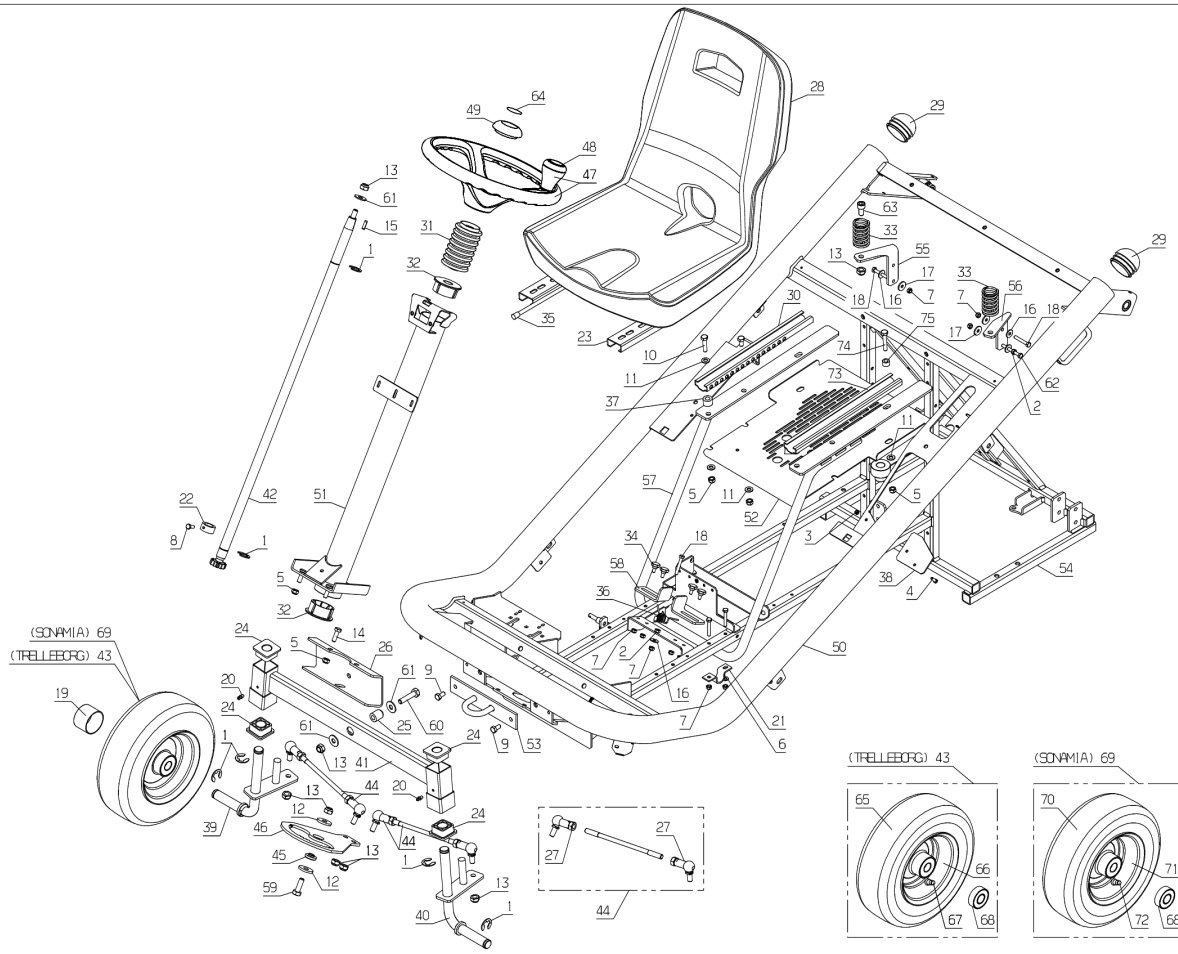


11/2011

Numero	Codice	Nome	Quantità
1	1513	1513	1,000
2	1557	1557	1,000
3	37561	37561	1,000
4	2009	2009	1,000
5	71205		1,000
6	2235	2235	1,000
7	71201		1,000
8	37997	37997	1,000
9	6169	6169	1,000
10	7038	7038	1,000
11	7335		1,000
12	9009	9009	1,000
13	9017	9017	1,000
14	9056	9056	1,000
15	20606	20606	1,000
16	21270	21270	1,000
17	22029	22029	1,000
18	22456	22456	1,000
19	25176	25176	1,000
20	25301	25301	1,000
21	25711	25711	1,000
22	25728	25728	1,000
23	38745	38745	1,000
24	28024	28024	1,000
25	28025	28025	1,000
26	28028	28028	1,000
27	28047	28047	1,000
28	38057	38057	1,000
29	28056	28056	1,000
30	38746	38746	1,000
31	28110	28110	1,000
32	28111	28111	1,000
33	28112	28112	1,000
34	28137	28137	1,000
35	38744	38744	1,000
36	28206	28206	1,000
37	28296	28296	1,000
38	28381	28381	1,000
39	28401	28401	1,000
40	28402	28402	1,000
41	28403	28403	1,000

Numero	Codice	Nome	Quantità
42	28430	28430	1,000
43	28478	28478	1,000
44	28536	28536	1,000
45	28608	28608	1,000
46	28609	28609	1,000
47	29900	29900	1,000
48	29923	29923	1,000
49	29978	29978	1,000
50	36721	36721	1,000
51	36842	36842	1,000
52	36847	36847	1,000
53	37289	37289	1,000
54	37715	37715	1,000
55	53011		1,000
56	53012		1,000
57	37812	37812	1,000
58	38056	38056	1,000
59	71110	71110	1,000
60	71198	71198	1,000
61	71238	71238	1,000
62	71288	71288	1,000
63	71434	71434	1,000
64	25330	25330	1,000
65	28444	28444	1,000
66	28482	28482	1,000
67	28484	28484	1,000
68	25616	25616	1,000
69	28452	28452	1,000
70	28455	28455	1,000
71	28454	28454	1,000
72	28456	28456	1,000
73	38747	38747	1,000
74	5340	5340	1,000
75	42043	42043	1,000

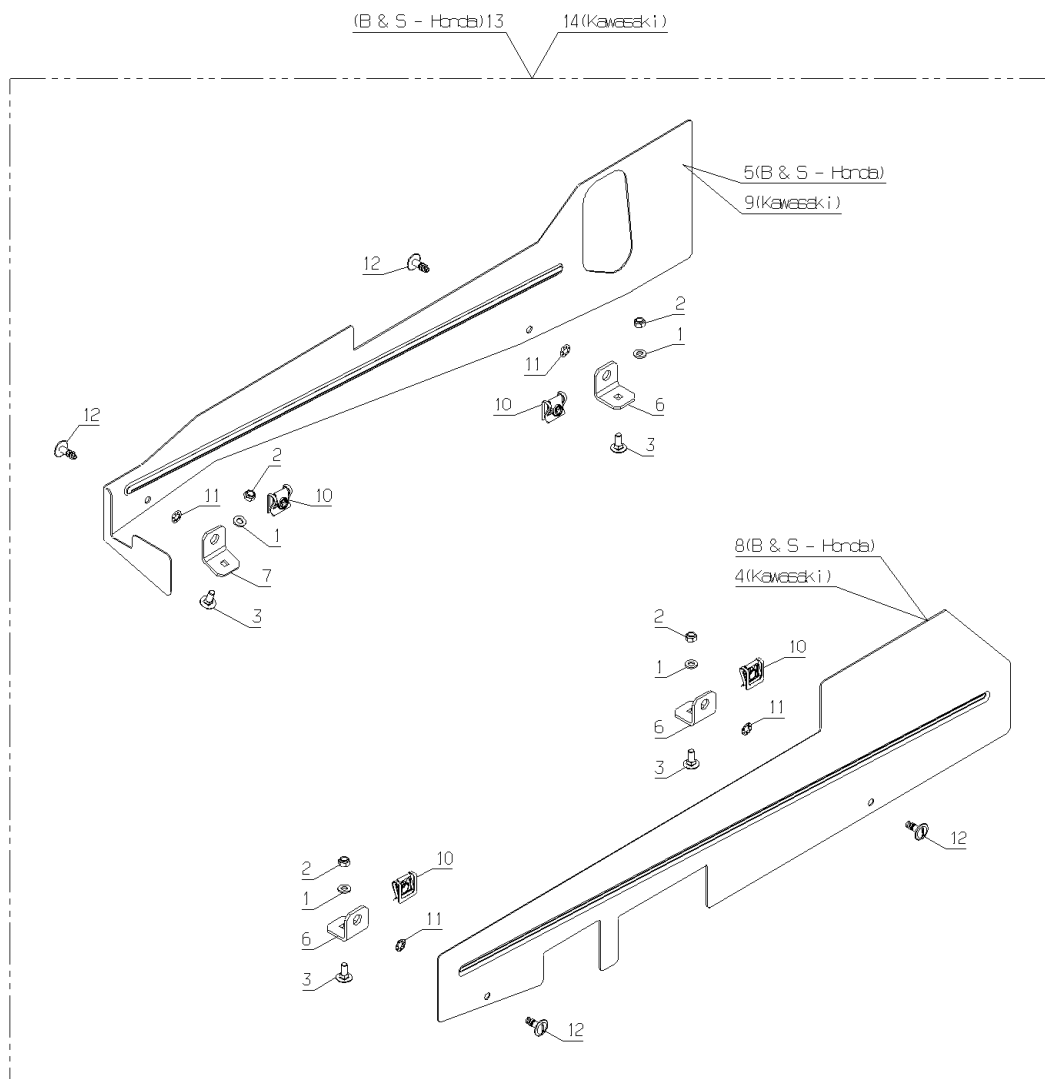
PL01506



11/2011

Numero	Codice	Nome	Quantità
1	2235	2235	1,000
2	71201		1,000
3	21608	21608	1,000
4	37307	37307	1,000
5	37308	37308	1,000
6	37310	37310	1,000
7	37311	37311	1,000
8	37486	37486	1,000
9	37487	37487	1,000
10	37499	37499	1,000
11	37500	37500	1,000
12	37501	37501	1,000
13	37550	37550	1,000
14	37551	37551	1,000

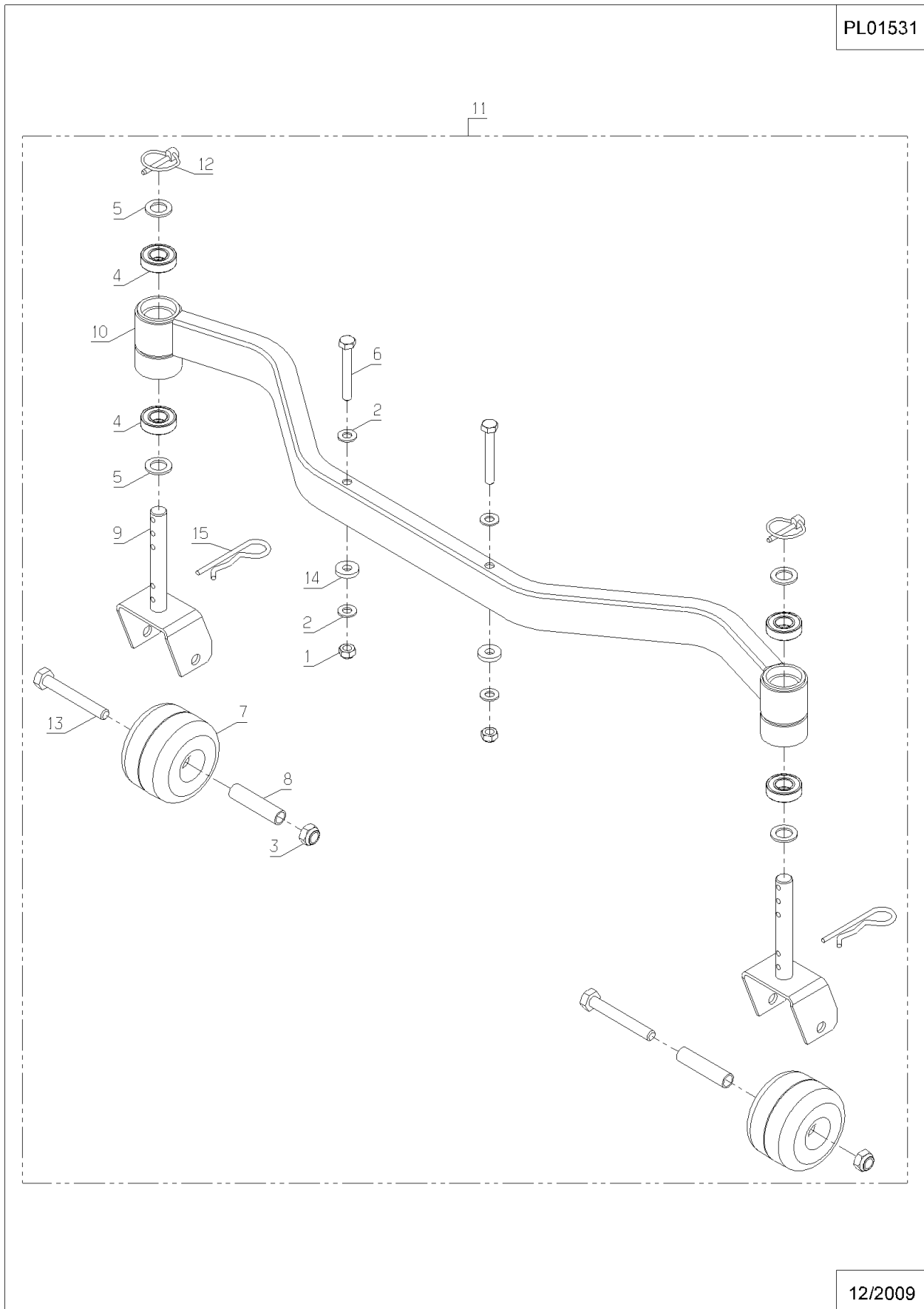
PL01551



04/2010

Numero	Codice	Nome	Quantità
1	71205		1,000
2	7335		1,000
3	9017	9017	1,000
4	9022	9022	1,000
5	9166	9166	1,000
6	20513	20513	1,000
7	28123	28123	1,000
8	28333	28333	1,000
9	28437	28437	1,000
10	28440	28440	1,000
11	MAS80		1,000
12	71005	71005	1,000
13	71032	71032	1,000
14	71126	71126	1,000
15	71228	71228	1,000

PL01531

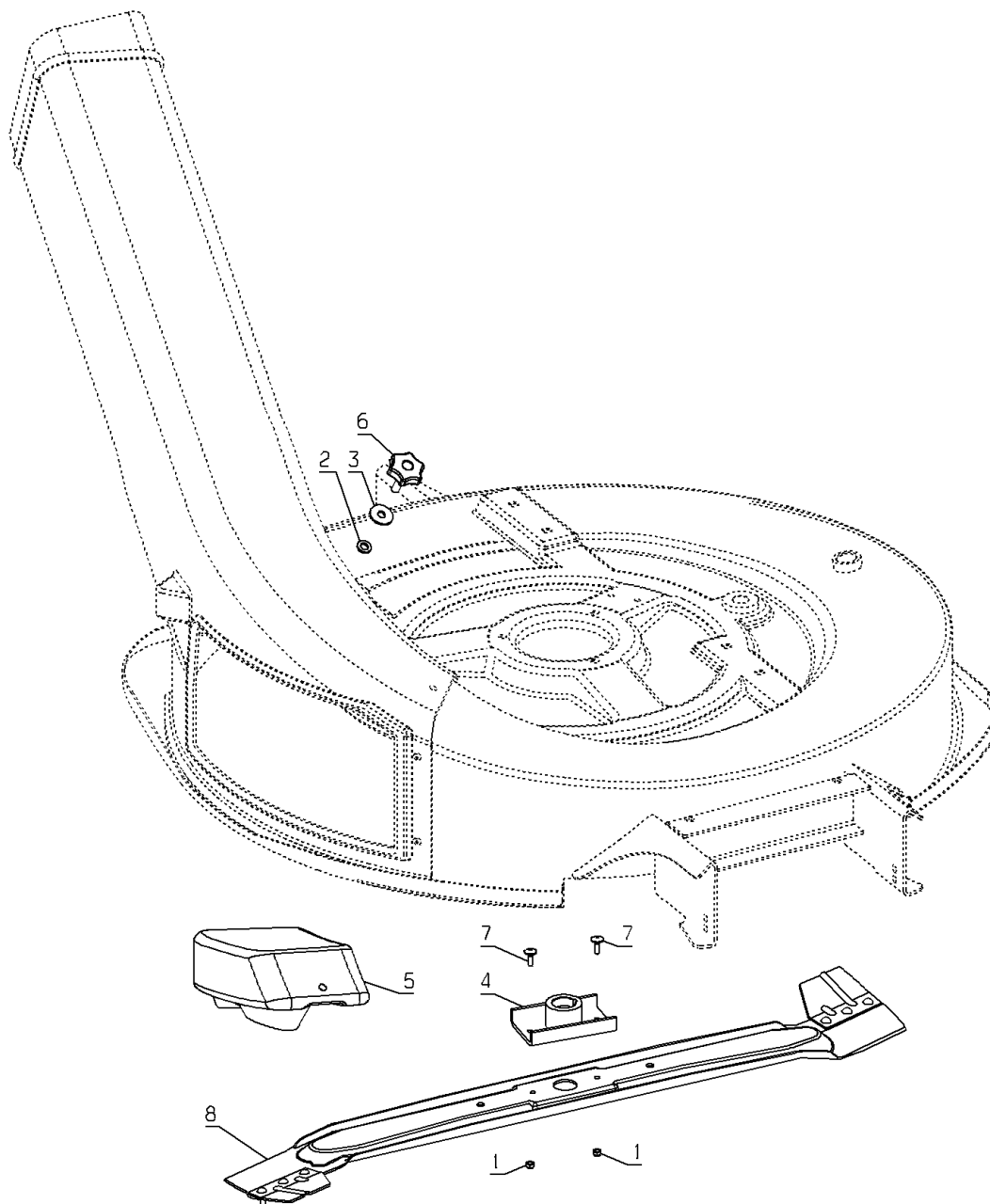


12/2009

Numero	Codice	Nome	Quantità
1	37561	37561	1,000
2	71343	71343	1,000
3	7035	7035	1,000
4	28420	28420	1,000
5	35936	35936	1,000
6	36152	36152	1,000
7	71231	71231	1,000
8	MZ80M	MZ80M	1,000

MU80N

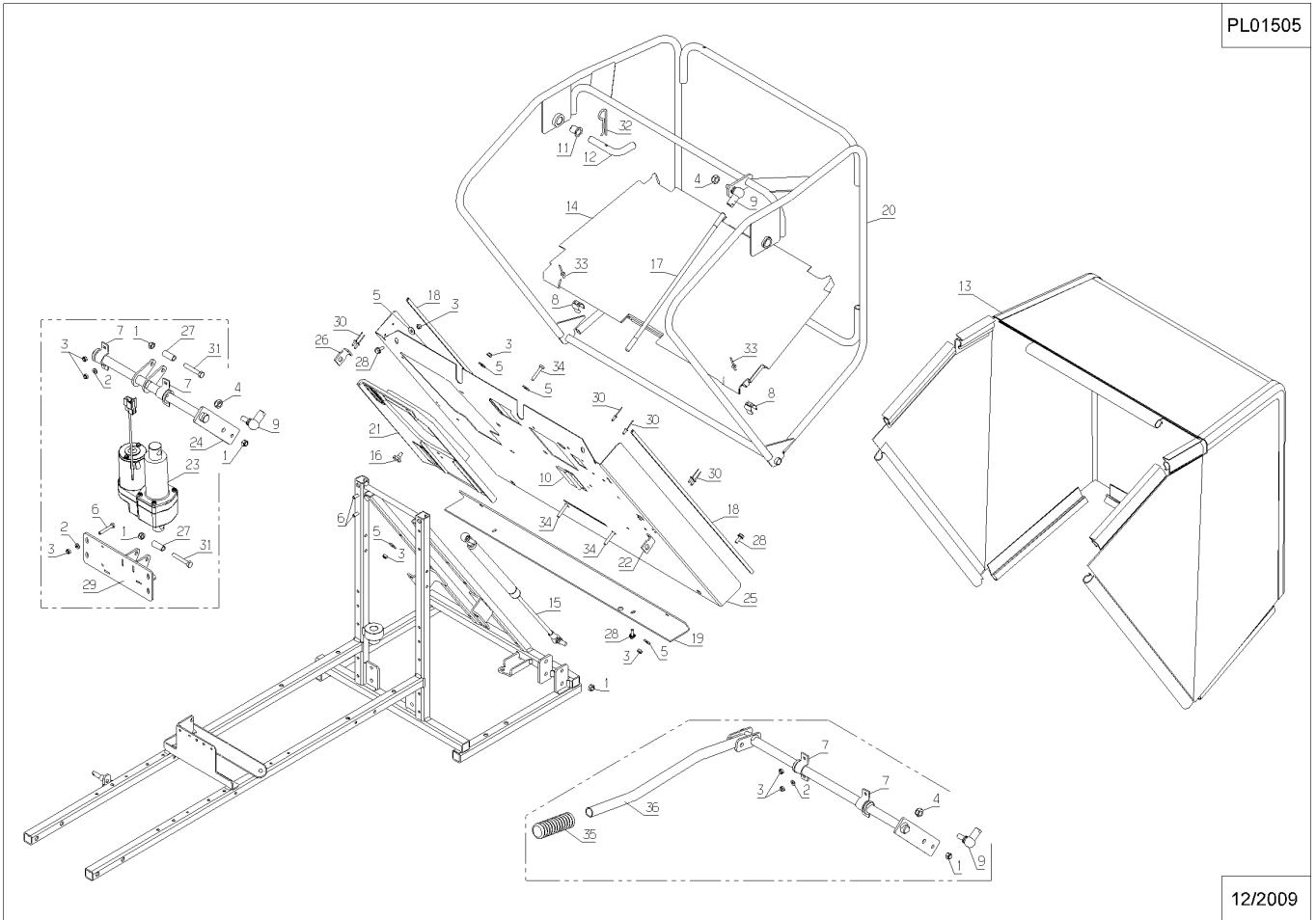
PL01316



02/2011

Numero	Codice	Nome	Quantità
1	71205		1,000
2	2235	2235	1,000
3	71201		1,000
4	9017	9017	1,000
5	21270	21270	1,000
6	22456	22456	1,000
7	25711	25711	1,000
8	25886	25886	1,000
9	28047	28047	1,000
11	28070	28070	1,000
12	28082	28082	1,000
13	28087	28087	1,000
14	28095	28095	1,000
15	51458	51458	1,000
16	28137	28137	1,000
17	28168	28168	1,000
18	28254	28254	1,000
19	28362	28362	1,000
20	28408	28408	1,000
23	36762	36762	1,000
24	36768	36768	1,000
25	37509	37509	1,000
26	37621	37621	1,000
27	37710	37710	1,000
28	37997	37997	1,000
30	71114	71114	1,000
31	71223	71223	1,000
32	71228	71228	1,000
33	71241	71241	1,000
34	71259	71259	1,000
35	28118	28118	1,000
36	28409	28409	1,000

PL01505



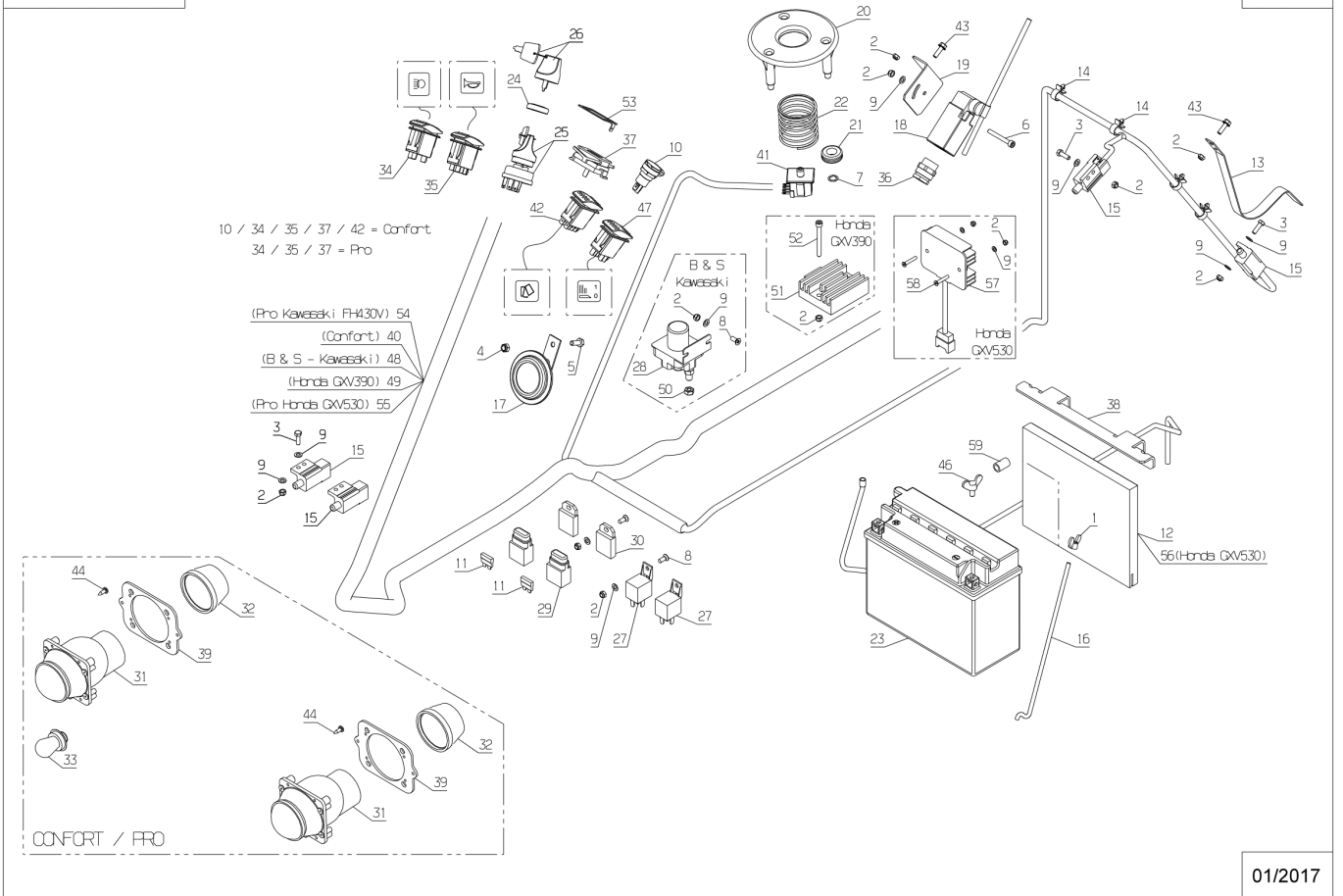
12/2009

Numero	Codice	Nome	Quantità
1	1504	1504	1,000
2	37561	37561	1,000
3	5071	5071	1,000
4	71201		1,000
5	37997	37997	1,000
6	5399	5399	1,000
7	7377	7377	1,000
8	20563	20563	1,000
9	20564	20564	1,000
10	25822	25822	1,000
11	25828	25828	1,000
12	28015	28015	1,000
13	28073	28073	1,000
14	28081	28081	1,000
15	28159	28159	1,000
16	28164	28164	1,000
17	28209	28209	1,000
18	28210	28210	1,000
19	28211	28211	1,000
20	28279	28279	1,000
21	28292	28292	1,000
22	28293	28293	1,000
23	52101		1,000
24	28382	28382	1,000
25	28384	28384	1,000
26	28388	28388	1,000
27	28392	28392	1,000
28	16604	16604	1,000
29	28582	28582	1,000
30	28594	28594	1,000
31	28689	28689	1,000
32	28743	28743	1,000
33	28744	28744	1,000
34	52497		1,000
35	52495		1,000
36	29789	29789	1,000
37	51640	51640	1,000
38	35675	35675	1,000
39	37198	37198	1,000
40	37834	37834	1,000
41	37835	37835	1,000

Numero	Codice	Nome	Quantità
42	37838	37838	1,000
43	37996	37996	1,000
44	71111	71111	1,000
46	71236	71236	1,000
47	52494		1,000
48	51760		1,000
49	36728	36728	1,000
50	71001	71001	1,000
51	18796	18796	1,000
52	71167	71167	1,000
53	38459	38459	1,000
54	36893	36893	1,000
55	38520	38520	1,000
56	38713	38713	1,000
57	18840	18840	1,000
58	71058	71058	1,000
59	42019	42019	1,000

155182 → 163487

PL01507

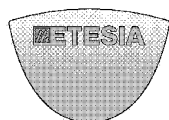
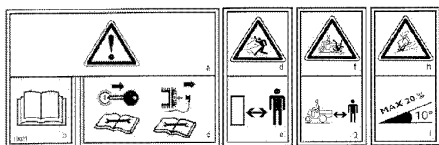


Numero	Codice	Nome	Quantità
1	1504	1504	1,000
2	37561	37561	1,000
3	5071	5071	1,000
4	71201		1,000
5	37997	37997	1,000
6	5399	5399	1,000
7	2009	2009	1,000
8	20563	20563	1,000
9	20564	20564	1,000
10	25822	25822	1,000
11	25828	25828	1,000
12	28015	28015	1,000
13	28073	28073	1,000
14	28081	28081	1,000
15	28159	28159	1,000
16	28164	28164	1,000
17	28209	28209	1,000
18	28210	28210	1,000
19	28211	28211	1,000
20	35213	35213	1,000
21	50083	Nouvelle pièce	1,000
22	29257	29257	1,000
23	52101		1,000
24	28382	28382	1,000
25	28384	28384	1,000
26	28388	28388	1,000
27	28392	28392	1,000
28	16604	16604	1,000
29	28582	28582	1,000
30	28594	28594	1,000
31	18796	18796	1,000
32	51760		1,000
33	52494		1,000
34	52495		1,000
35	52497		1,000
36	29789	29789	1,000
37	51640	51640	1,000
38	35675	35675	1,000
39	51462		1,000
40	71001	71001	1,000
41	71236	71236	1,000

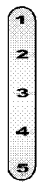
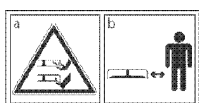
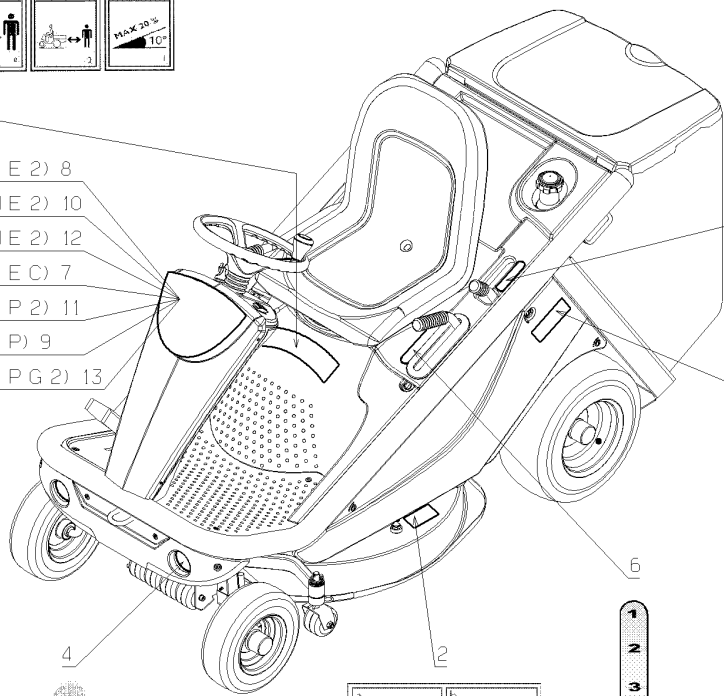
Numero	Codice	Nome	Quantità
43	37996	37996	1,000



Numero	Codice	Nome	Quantità
1	13021	13021	1,000
2	13062	13062	1,000
3	13086	13086	1,000
4	35866	35866	1,000
5	52810		1,000
7	37828	37828	1,000
8	54520		1,000
9	38352	38352	1,000
10	38253	38253	1,000
11	54522		1,000
12	54529		1,000
13	36860	36860	1,000



- 1
- (MBHE 2) 8
- (MHHE 2) 10
- (MKHE 2) 12
- (MBHEC) 7
- (MKHP 2) 11
- (MHHP) 9
- (MKHPG 2) 13



Numero	Codice	Nome	Quantità
1	13086	13086	1,000
2	13089	13089	1,000
3	25330	25330	1,000
4	28308	28308	1,000
5	37831	37831	1,000
6	51432	51432	1,000
7	52810		1,000
8	38053	38053	1,000
9	38146	38146	1,000

